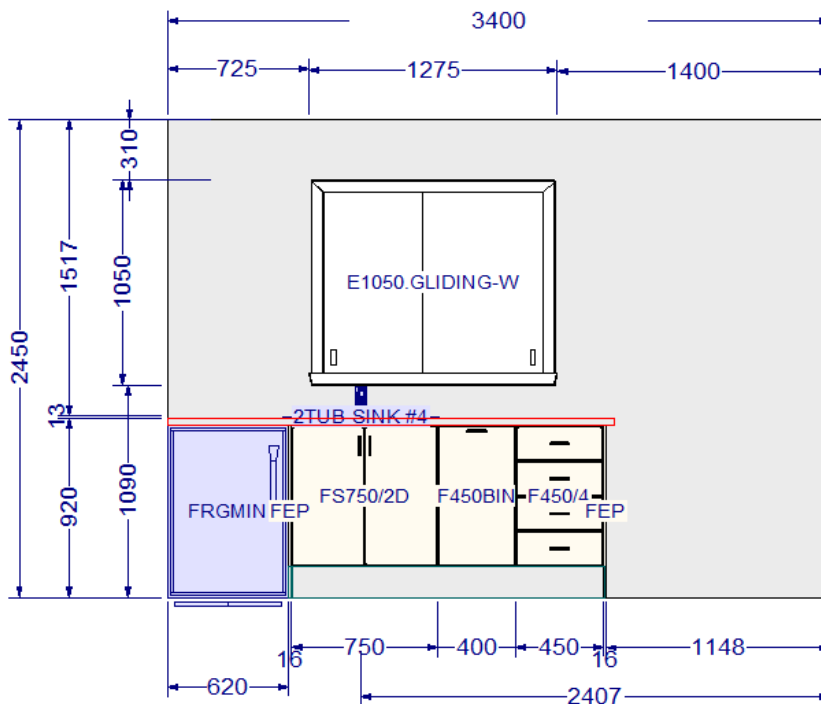


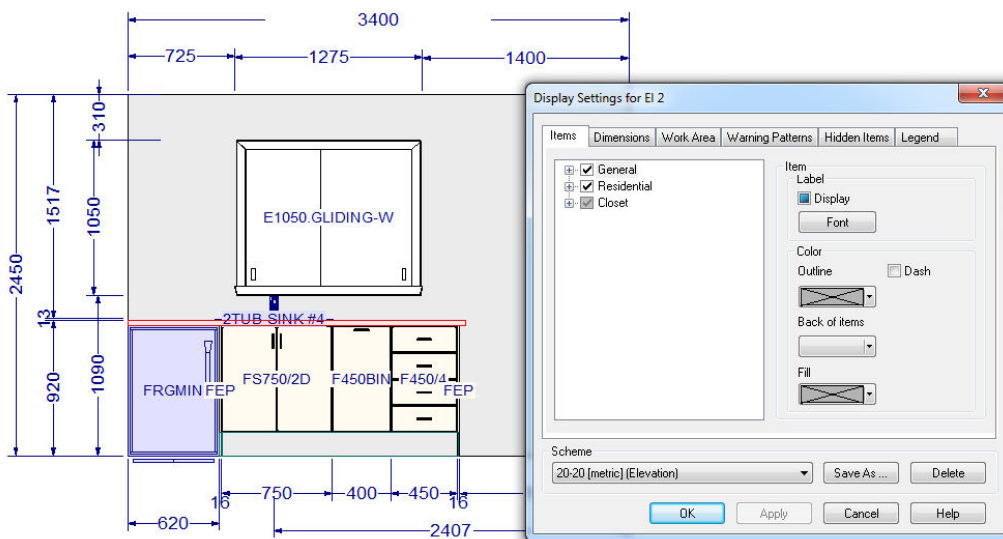
Plan and Elevation Display Changes

There are times when the standard settings for displaying plans and elevations result in too much clutter and makes it more difficult for the installers to read. It is extremely easy to alter the display settings both on a drawing by drawing basis or permanently.

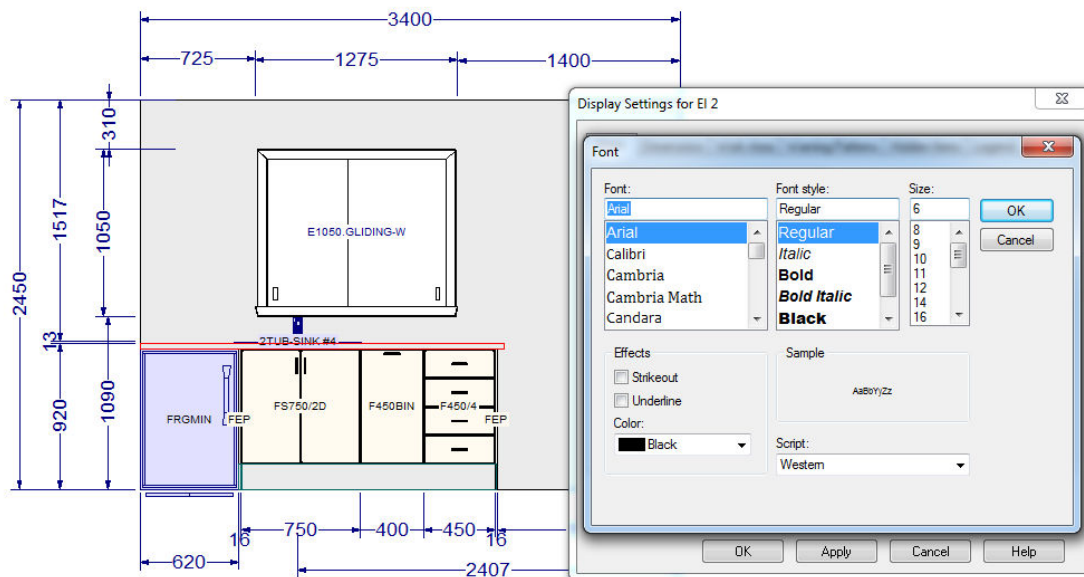
Below is a typical elevation display.



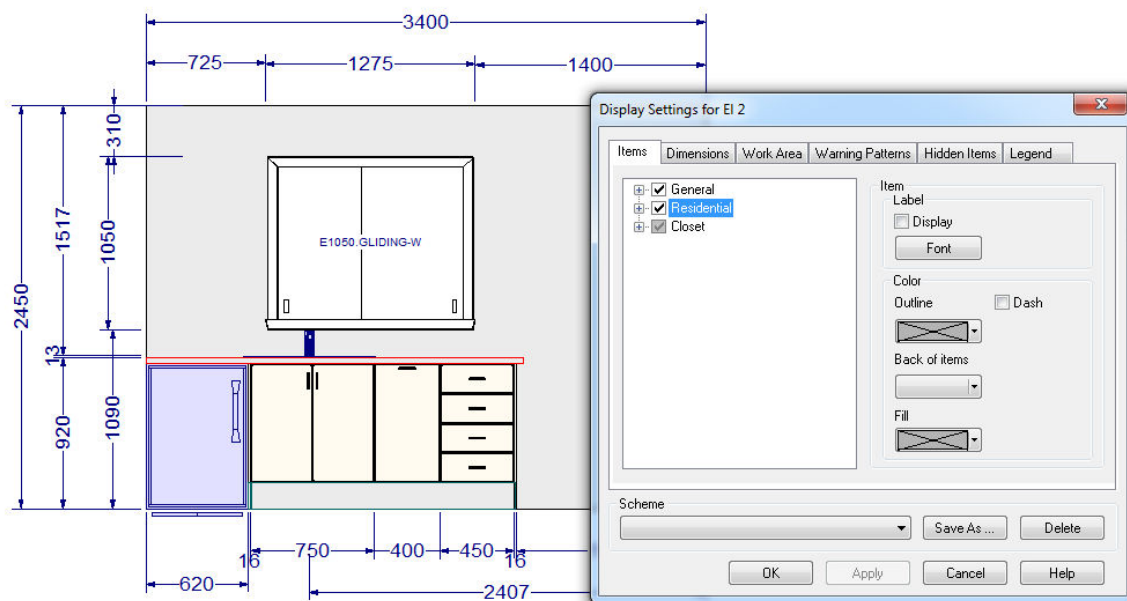
Now let's assume that you want to adjust the display of the cabinet labels. Right click on a blank area of the elevation and choose 'Display Settings':



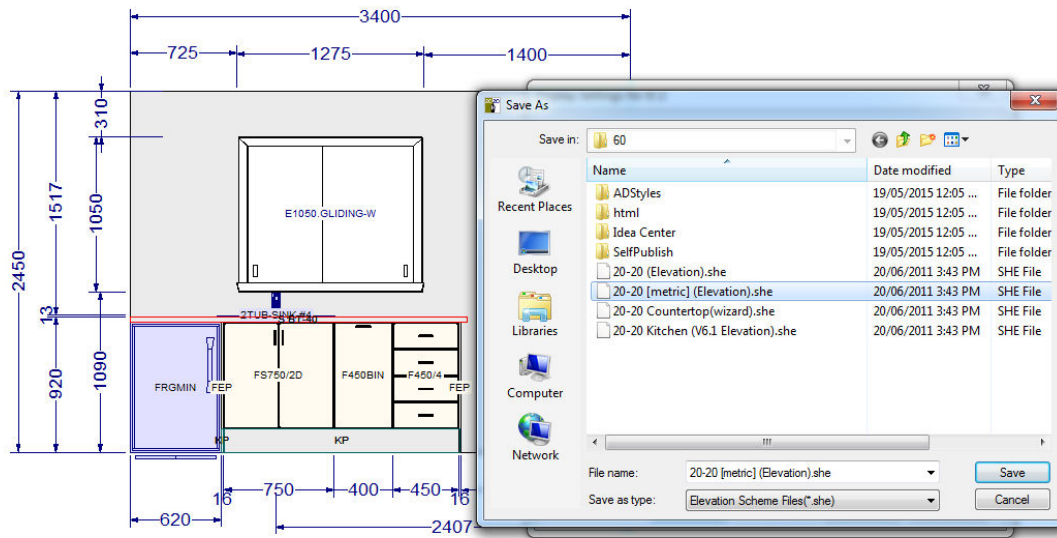
Click on the 'Residential' category then click on 'Font'. Now adjust the font by entering the number '6' – note that the size picker only goes down to 8 but you can type a different Size value in the size field. Click apply and now the labels on the cabinets are smaller.



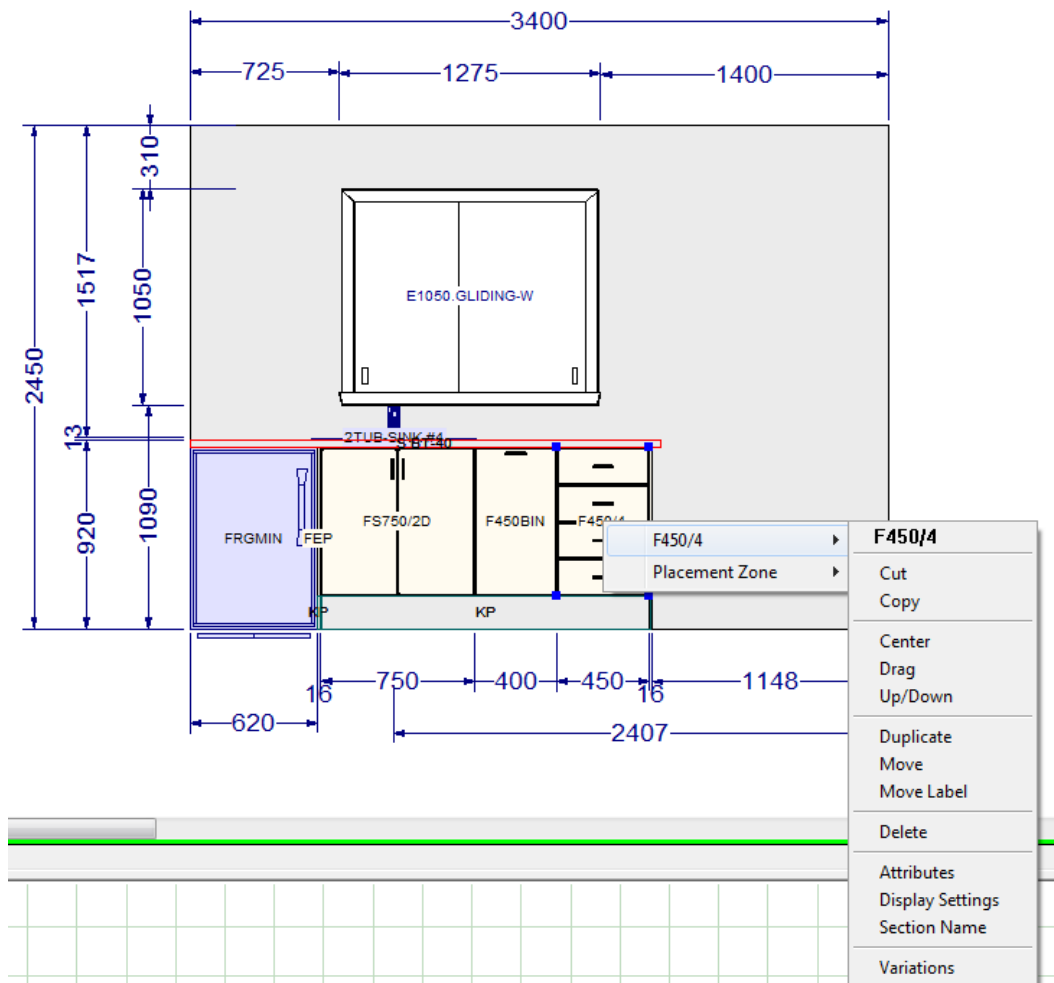
You can also remove the labels altogether by unticking the 'Display' box.



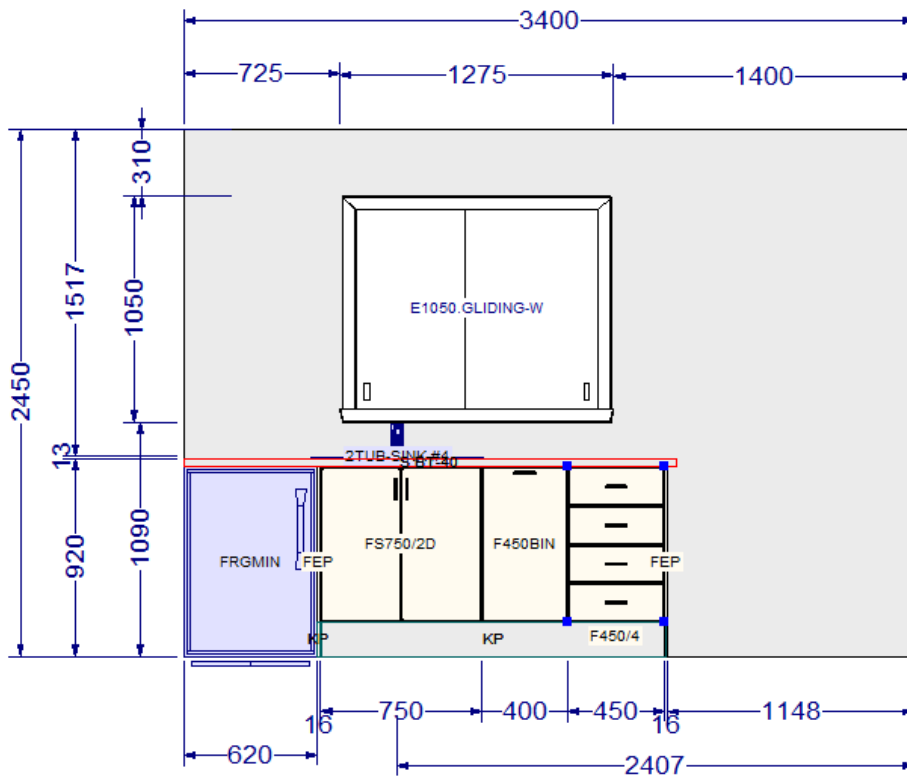
If you want to save the settings for all future drawings, click the 'Save As' button and choose the '20-20 [metric] (elevations).she'



You can also alter the position of the label of a cabinet or item if you need to. Right click on the cabinet and choose 'Move Label'



Then just drag the label to the position you want – in this case I've moved the drawer unit label to under the base of the cabinet.

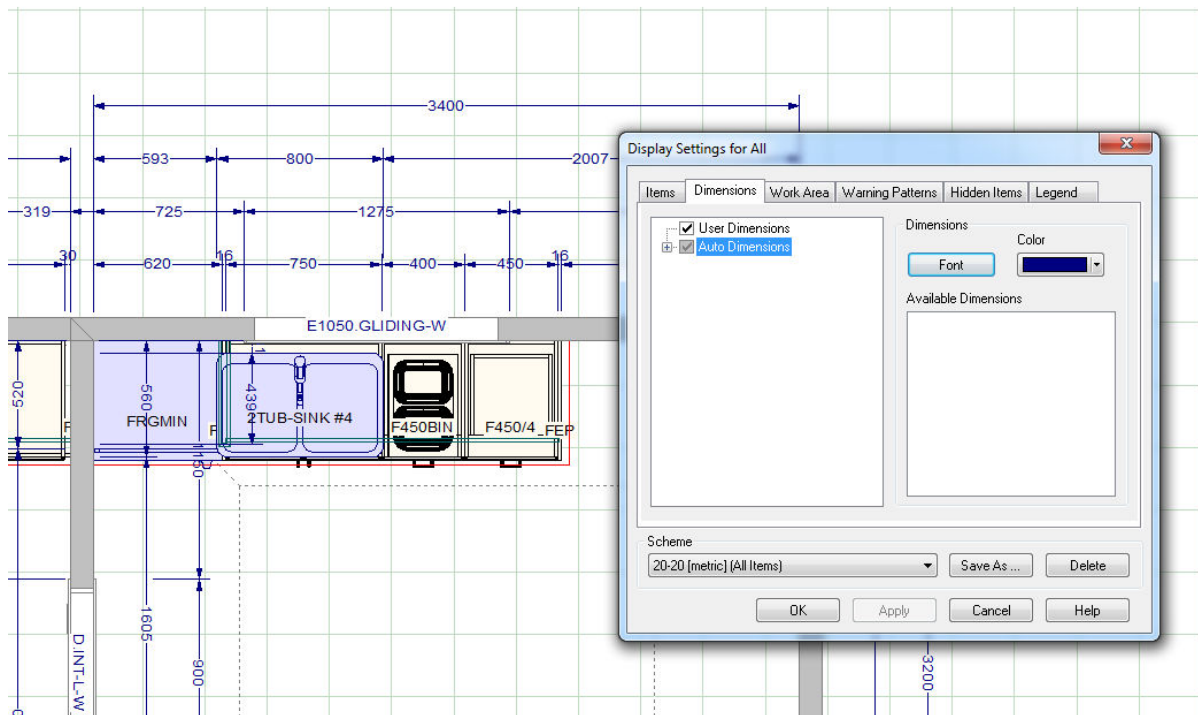


NOTE Unfortunately, changing the DEFAULT position of the label is not possible – this is a limitation that we have asked 2020 to consider changing.

Plans

The same principle works for the floor plans and the measurements. Right click on a blank area of the floor plan and choose 'Display Settings' then choose the 'Dimensions' Tab. Click on the 'Font' button and again type in '6' or select the size you want and click 'Apply' and the font will change. In the example below, I have adjusted both the label and dimension sizes.

Again, if you wish to keep the settings for all future drawings, choose 'Save As' and pick the 20-20 [metric] (All Items).shf file.



Hope this helps. Display Schemes are very powerful and you can build and save your own to suit different circumstances.

Mike Langensiepen